



SPARE PARTS MANUAL
FOR
40'x8'x13'6 "
(FLATRACK COLLAPSIBLE CONTAINER TYPE 18)
STX



GUANGDONG XINHUI CIMC SPECIAL TRANSPORTATION EQUIPMENT CO.,LTD.

ISSUE DATE: May. 29, 2008

4.0B Version Heavy Super Rack (MGW to be 50T)

SPARE PARTS MANUAL

Issue A

Issue date: May. 29, 2008

INDEX

INTRODUCTION	Page 4
1) INNER HINGE	Page 5
2) OUTER HINGE	Page 5
3) TAPER PIN	Page 6
4) PIVOT PIN	Page 6
5) XL LOCKING HAMMER	Page 7
6) TWISTLOCK.....	Page 8
7) COUNTERBALANCE SPRING.....	Page 8
8) CUSHIONING CYLINDER.....	Page 9
9) CYLINDER PINS.....	Page 10
10) CASTING PARTS.....	Page 11
11) END WALL PARTS.....	Page 12
APPENDIX - ORDER FORM.....	Page 13

INTRODUCTION

This manual is for the purpose of better identification to the spare parts, Please read this introduction carefully before put an order of spare parts.

Heavy Super Rack V4.0B, a 50 tonne rated 40' flatrack with steel floor, is specially developed for over height cargoes.

When any part is needed, please identify whether it's left hand or right hand by following method:

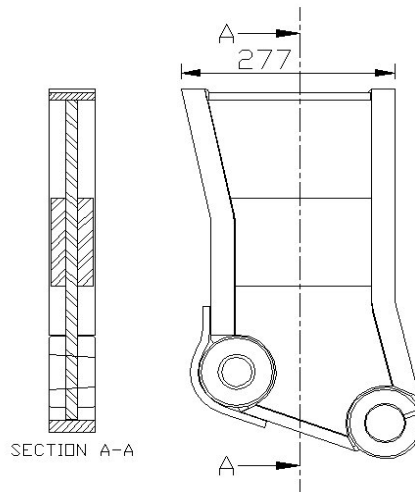
LEFT or RIGHT

You must identify if the part is left hand or right hand. By IICL convention, you can identify the part by combination of Front/Rear with Left/Right. Or you can simply do the same by LH/RH as defined by following diagram. For example, if you tell us "Front Left", we know you use IICL convention which is the same as our "RH"; if you tell us "RH", we know you mean "Front Left" or "Rear Right" which is the same part.



With this manual, you can always find the correct part, just fill in the blanks in the appendix order form, send to Guangdong Xinhui CIMC Special Transportation Equipment Co. Ltd.

1) INNER HINGE

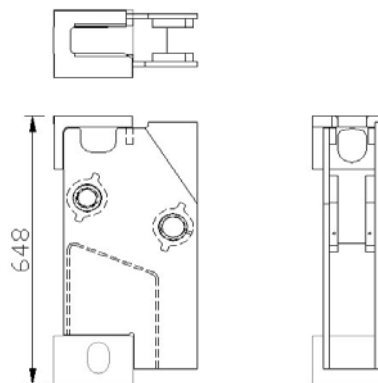


1. Part Name : **XL Inner Hinge**

Drawing No.: Inner (260) XL v3.3

Weight: 33.4kg

2) OUTER HINGE

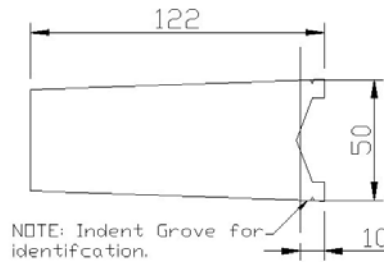


2. Part Name : **XL Outer Hinge**

Drawing No.: Outer (648) XL v3.4(HSR)

Weight: 37.7kg

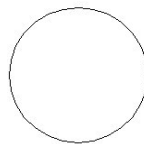
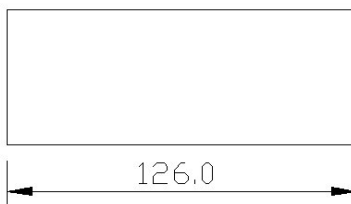
3) TAPER PIN



3. Part Name: Taper Pin

Drawing No.: CC101-32
(begin to use this type form 2008)
Weight: 1.55 kg

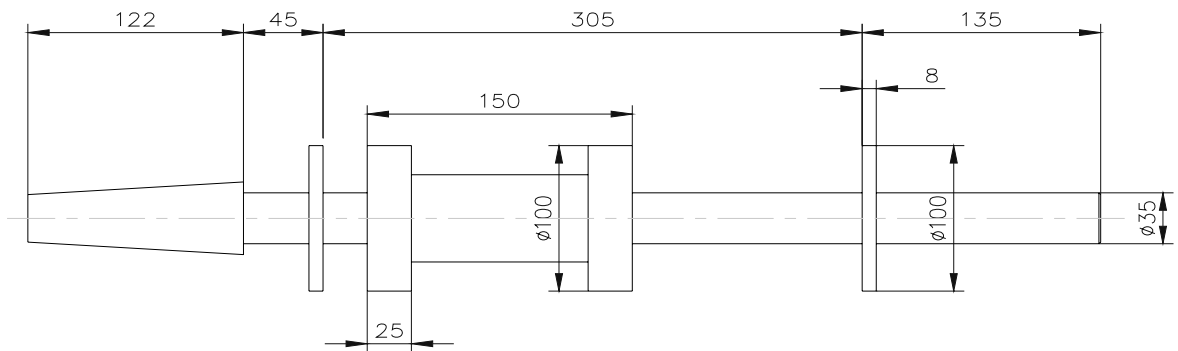
4) PIVOT PIN



4. Part Name : Pivot Pin

Drawing No.: CC200
Weight : 1.94kg

5) XL LOCKING HAMMER



5 Part Name: XL Locking Hammer

Drawing No.: FR-32-XL

(begin to use this type form 2008)

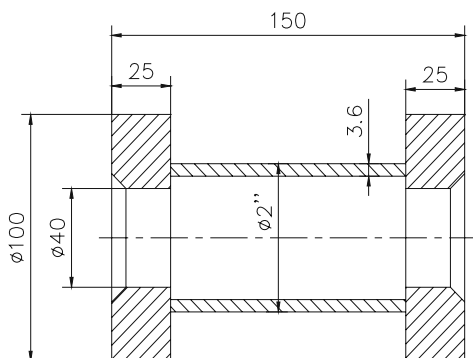
Weight: 8.8kg



6. Part Name : Striker Plate

Drawing No.: FR-ST-2

Weight: 0.43kg

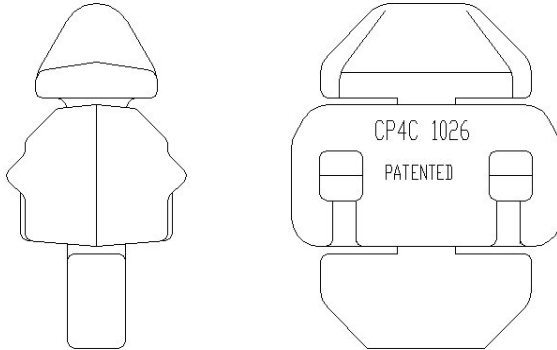


7. Part Name: Standard Hammer

Drawing No.: FR-SP.1

Weight: 2.98 kg

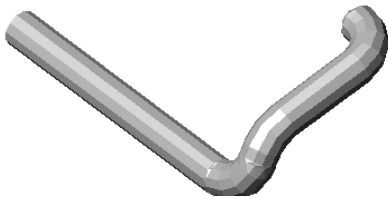
6) TWISTLOCK



8 Part Name : Twistlock

Drawing No.: CP4C-1026

Weight: 3.1kg



9. Part Name : Twistlock Arm (Bar)

Drawing No.: FR-ST-1

Weight: 0.81kg

7) COUNTERBALANCE SPRING

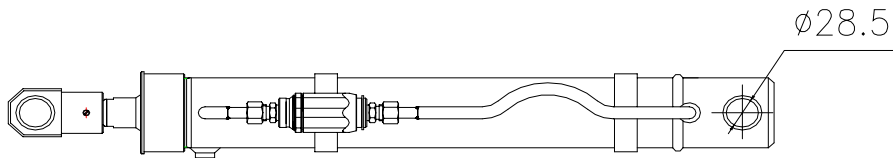
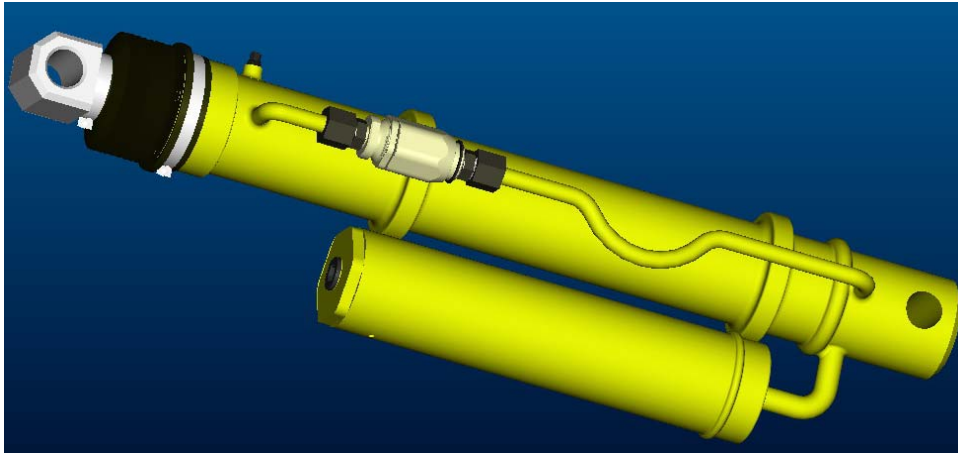


10. Part Name : Counterbalance Spring

Drawing No.: P010

Weight: 23kg

8) CUSHIONING CYLINDER



11. Part Name : **Cushioning Cylinder--655**

Weight: 18.6kg



12. Part Name : **Piston-rod head (Ø 28)**



13. Part Name : **Ligature--Large**

Weight: 0.07kg



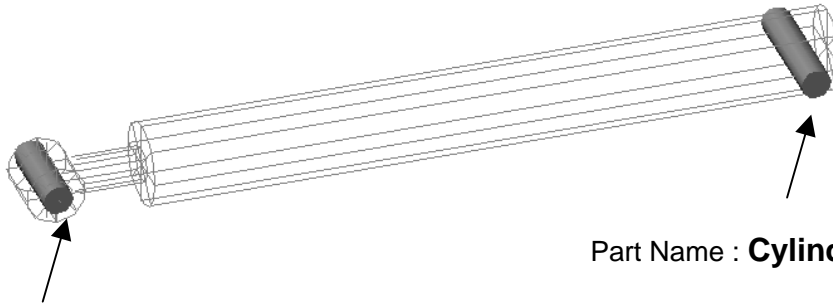
14. Part Name : **Ligature--Small**

Weight: 0.06kg



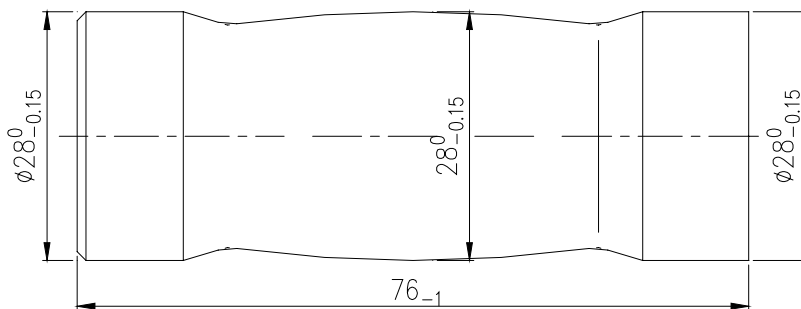
15. Part Name : **Piston-rod protector- 655**

9) CYLINDER PINS



Part Name : **Cylinder Front Pin**

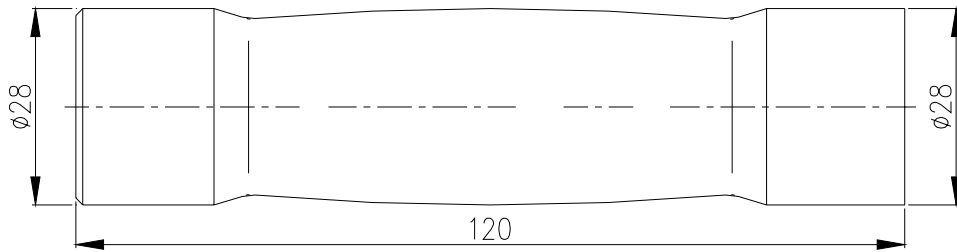
Part Name : **Cylinder Rear Pin**



16. Part Name : **Cylinder Front Pin (S76-type 2)**

Drawing No.: FR40-1801G.1-1 (S76-type 2)

Weight: 0.365kg

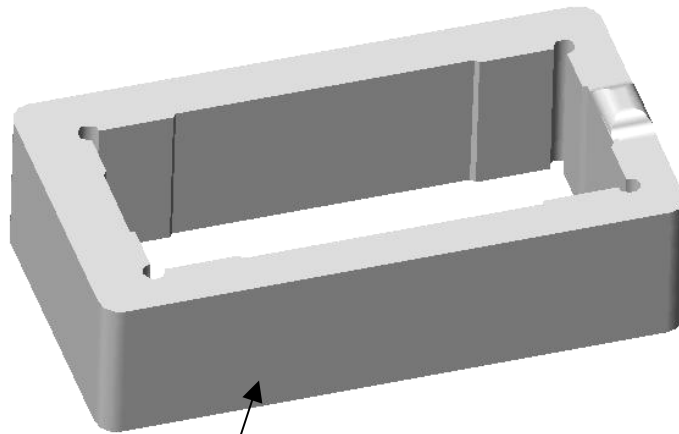


17. Part Name : **Cylinder Rear Pin (L120)**

Drawing No.: FR40-1801G.2-1 (L120)

Weight: 0.5kg

10) CASTING PARTS



18. Part Name : **End Frame (Outer Post)**

Drawing No.: FR40-1802W.4-9

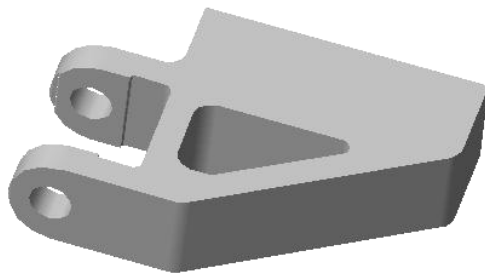
Weight: 9.3kg



19. Part Name : **Lashing Arm**

Drawing No.: FR40-1802W.5-1(HSR)

Weight: 5.4kg

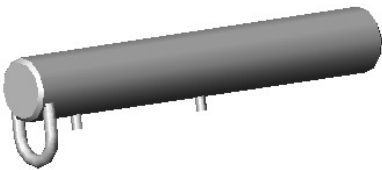


20. Part Name : **Cushioning
Cylinder Anchor**

Drawing No.: FR40-1802B-10

Weight: 6.0kg

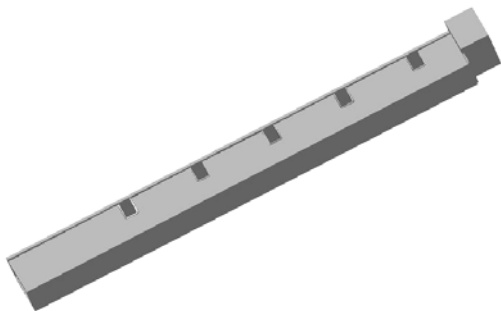
11) END WALL PARTS



21. Part Name : **End Wall Support (type 2)**

Drawing No.: FR40-1802G.3 (type 2)

Weight: 5.2kg



22. Part Name : **Inner Post**

Drawing No.: FR40-1802W.1

Weight: 130kg

Appendix

ORDER FORM

No.	Part Name	Part Drawing Number	Quantity	
			LH	RH
1	XL Inner Hinge	Inner 260 XL v3.3		
2	XL Outer Hinge	Outer 648 XL v3.4 (HSR)		
3	Taper Pin	CC101-32		
4	Pivot Pin	CC200		
5	XL(32) Locking Hammer	FR-32-XL		
6	Striker Plate	FR-ST-2		
7	Standard Hammer	FR-SP.1		
8	Twistlock	CP4C-1026		
9	Twistlock Arm (Bar)	FR-ST-1		
10	Counterbalance Spring	P010		
11	Cushioning Cylinder- 655			
12	Piston-rod head (∅ 28)			
13	Ligature--Large			
14	Ligature--Small			
15	Piston-rod protector			
16	Cylinder Front Pin (S76-type 2)	FR40-1801G.1-1 (S76-type 2)		
17	Cylinder Rear Pin (L120)	FR40-1801G.2-1 (L120)		
18	End Frame (Outer Post)	FR40-1802W.4-9		
19	Lashing Arm	FR40-1802W.5-1(HSR)		
20	Cushioning Cylinder Anchor	FR40-1802B-10		
21	End Wall Support - type 2	FR40-1802G.3 (type 2)		
22	Inner Post	FR40-1802W.1		

NOTE: Before fill in this form, please read following comments carefully.

LEFT or RIGHT

You must identify if the part is left hand or right hand. By IICL convention, you can identify the part by combination of Front/Rear with Left/Right. Or you can simply do the same by LH/RH as defined by following diagram. For example, if you tell us "Front Left", we know you use IICL convention which is the same as our "RH"; if you tell us "RH", we know you mean "Front Left" or "Rear Right" which is the same part.



More information can be obtained from: <http://www.flatrackspares.com/>